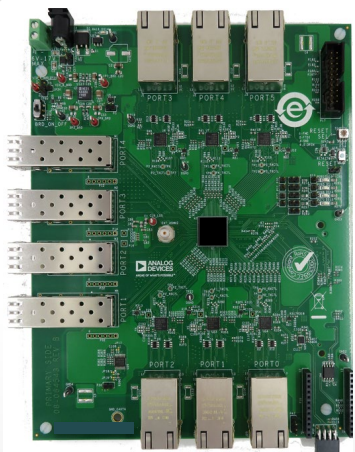


Analog Devices

Gigabit Industrial TSN Switch



AHEAD OF WHAT'S POSSIBLE™

Under development**ADIN6310 Evaluation Board**

Any Speed on Any Port with Any Topology

Flexible **3 and 6 Port Configurations** operating at 10M, 100M, or 1000M, copper or fiber, in line, ring, star or mesh topology



Suite of **TSN features** and more

Tailored features to support **IEC60802** AND additional features for IEC61850



Legacy Protocol Support

Integrated **Industrial Ethernet Engine** provides proven solution for legacy protocols

URL: [Industrial Automation Technology | Analog Devices](#)

E-mail: zack.mihalis@analog.com

Name: Zack Mihalis

Analog Devices

Gigabit Industrial TSN Switch

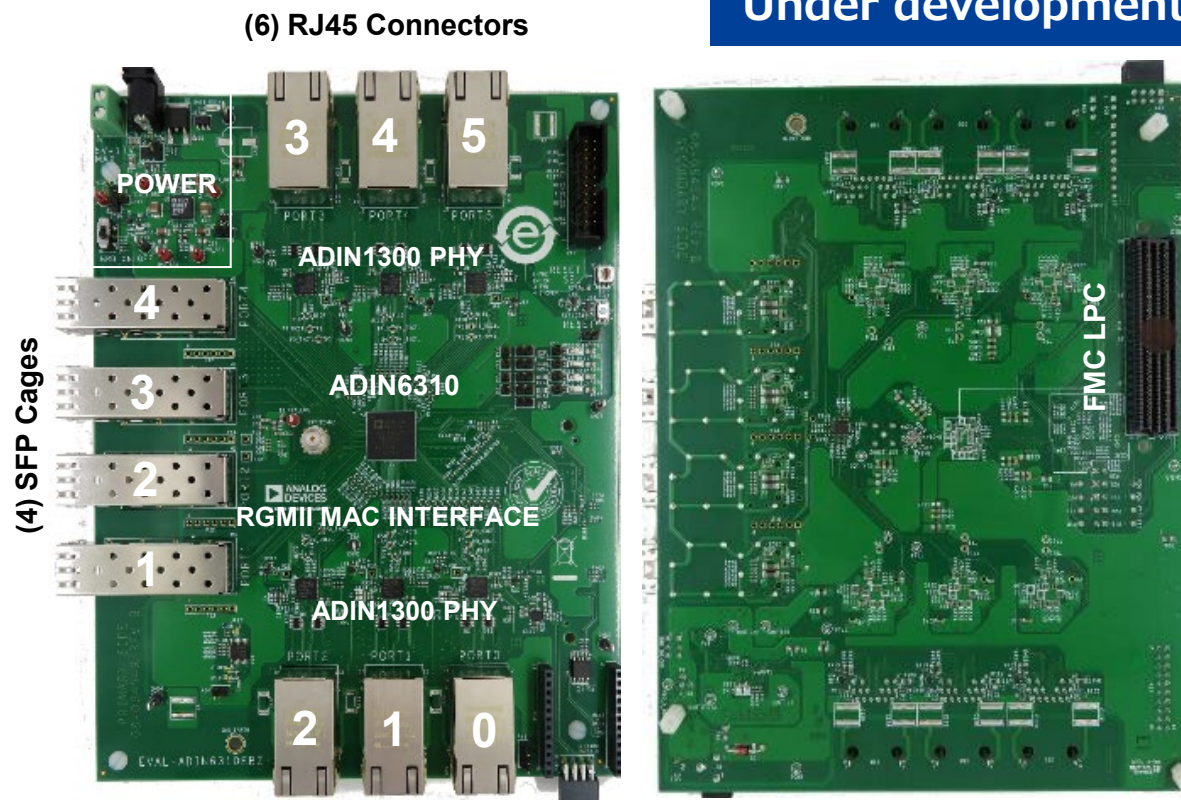


AHEAD OF WHAT'S POSSIBLE™

Under development

Evaluation Board

- PC tool for fast and easy evaluation and configuration
 - Driver and TSN APIs
- TSN 6 Port Switch
 - (6) RJ45 with integrated Magnetics
 - (4) SFP cages
 - Copper and fiber
- On board 10/100/1000M PHYs
 - ADIN1300 PHYs
- Host Processor is external
 - Access through FMC (Low Pin Count)
- Powered from 9V Wall adaptor
 - LTM4668A Module provides required supplies



ADIN6310 Evaluation Board

URL: [Industrial Automation Technology | Analog Devices](#)

E-mail: zack.mihalis@analog.com

Name: Zack Mihalis